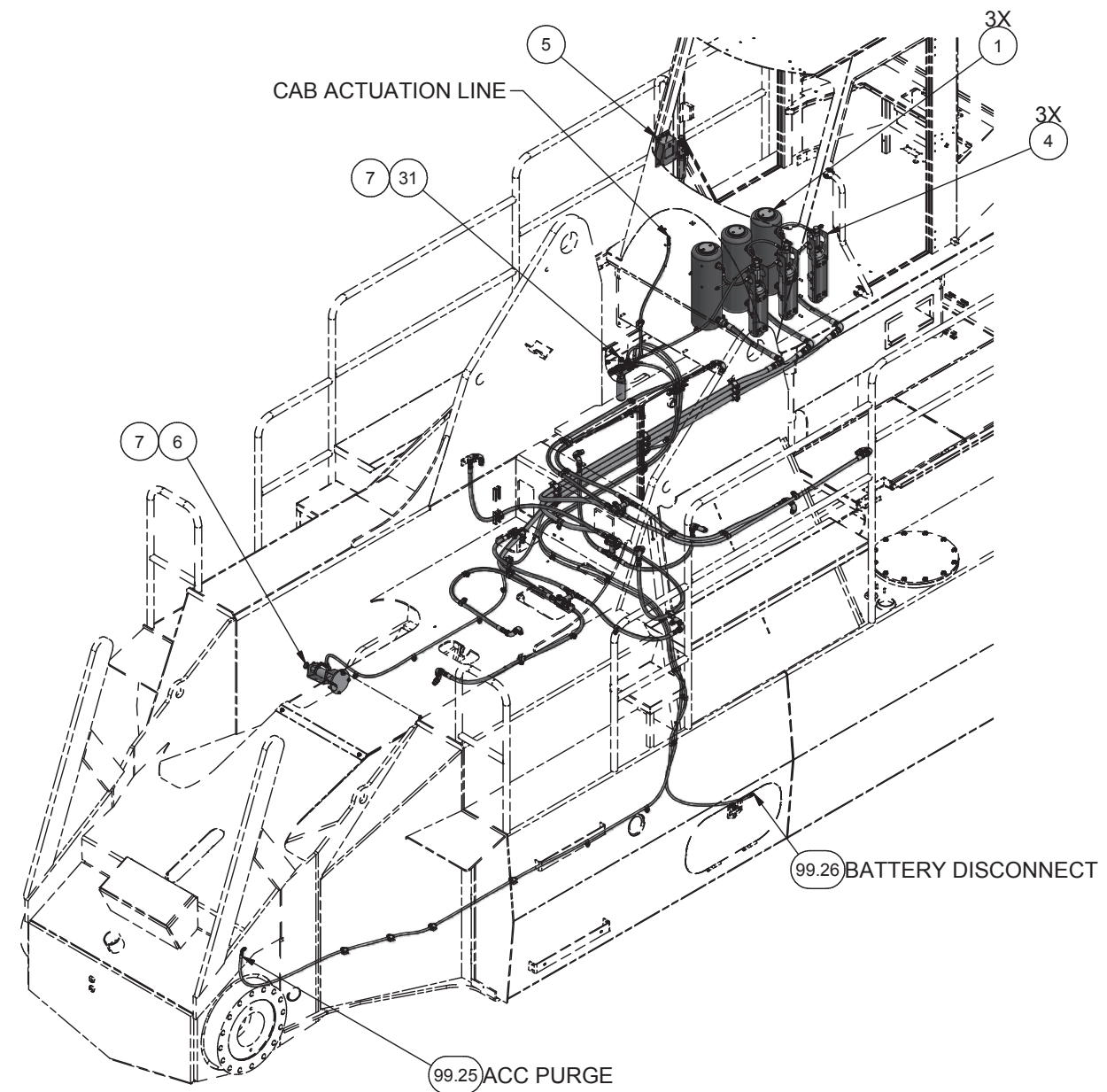

Fire Suppression System

Fire Suppression System

Item	Part No.	Qty	Description	Item	Part No.	Qty	Description
	595279		Fire Suppression System W/Auto Detection				
1	-----	3	. Tank, Dry Chem W/Bracket	37	209752	6	. Fitting
	-----	1	. Tank Mounting Bracket	38	209578	19	. Clamp
	-----	1	. Tank, Dry Chemical	39	209486	1	. Fitting
2	-----	3	. Actuator, Pneumatic	40	219502	1	. Fitting
3	-----	3	. Cartridge	41	231251	15	. Clamp
4	-----	3	. Bracket, Mounting	42	212718	1	. Fitting
5	-----	1	. Fire Detection Systemsc-N	43	221763W	18	. Washer
6	-----	1	. Actuator	44	R13811189	18	. Locknut
7	-----	2	. Cartridge, Nitrogen	45	162572W	12	. Capscrew
8	558723	1	. Plate Weldment,End	46	R13801813	4	. Capscrew
9	-----	2	. Relief Valve	47	YHGB 06	6'	. Hose Guard
10	208264	1	. Grommet	48	590087	3RL	. Tape
11	209757	24	. Fitting	49	Y27E-14	10	. Washer
12	249733	6	. Tee, Pipe	50	-----	1	. Cap, Blow-Off
13	252051	3	. Tee, Reducer	51	R13811010	2	. Capscrew
14	250352	6	. Elbow, Pipe	52	R13802914	2	. Hard Washer
15	209759	6	. Fitting	99.	595716	1	. Kit, Hose
16	589926	18	. Nipple, Pipe	99.1	593568	1	. Hose Assembly
17	589927	3	. Nipple, Pipe	99.2	595720	1	. Hose Assembly
18	R2528352	8	. Clip	99.3	595721	1	. Hose Assembly
19	R13811191	31	. Locknut	99.4	595719	1	. Hose Assembly
20	221767W	47	. Hard Washer	99.5	591475	1	. Hose Assembly
21	221771W	28	. Washer	99.6	256246	2	. Hose Assembly
22	231249	9	. Clamp	99.8	258556	1	. Hose Assembly
23	209698	16	. Clamp	99.9	593575	1	. Hose Assembly
24	-----	7	. Nozzle	99.10	586952	2	. Hose Assembly
25	225250	24	. Lockwasher	99.12	243689	2	. Hose Assembly
26	249732	24	. Elbow, Pipe	99.14	258540	2	. Hose Assembly
27	231537	3	. Clamp	99.16	249450	3	. Hose Assembly
28	-----	5	. Nozzle, Fire Ext	99.19	245782	2	. Hose Assembly
29	209406	8	. Fitting	99.21	239927	1	. Hose Assembly
30	209791	4	. Fitting	99.22	591477	1	. Hose Assembly
31	-----	1	. Actuator	99.24	588269	1	. Hose Assembly
32	595241	1	. Bracket	99.25	595718	1	. Hose Assembly
33	221280	6	. Fitting	99.26	595717	1	. Hose Assembly
34	PPE0040250	3	. Tee, Pipe	99.27	588282	3	. Hose Assembly
35	229443	1	. Fitting				
36	-----	2	. Check Valve				

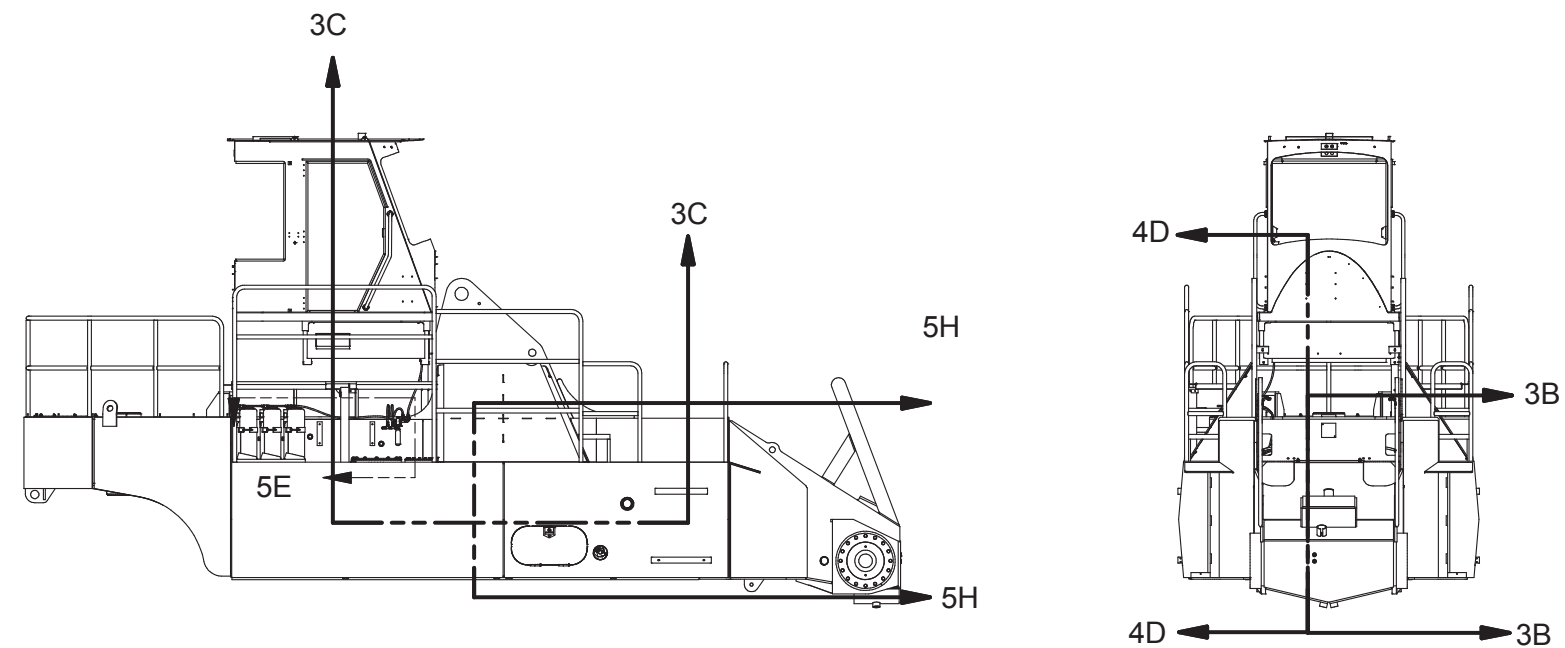
* See Separate Coverage

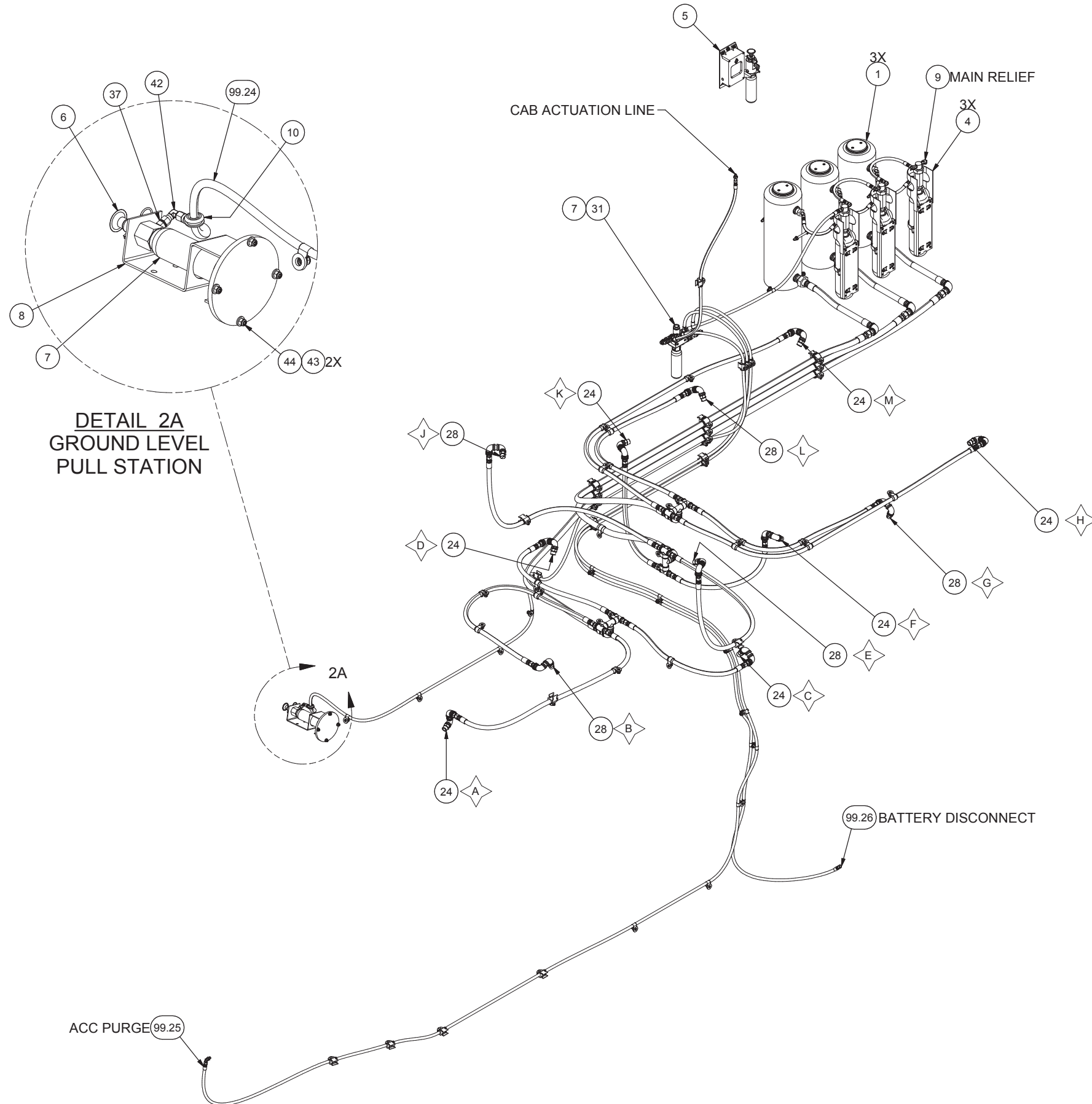
Fire Suppression System should be serviced
by an authorized ANSUL service technician.



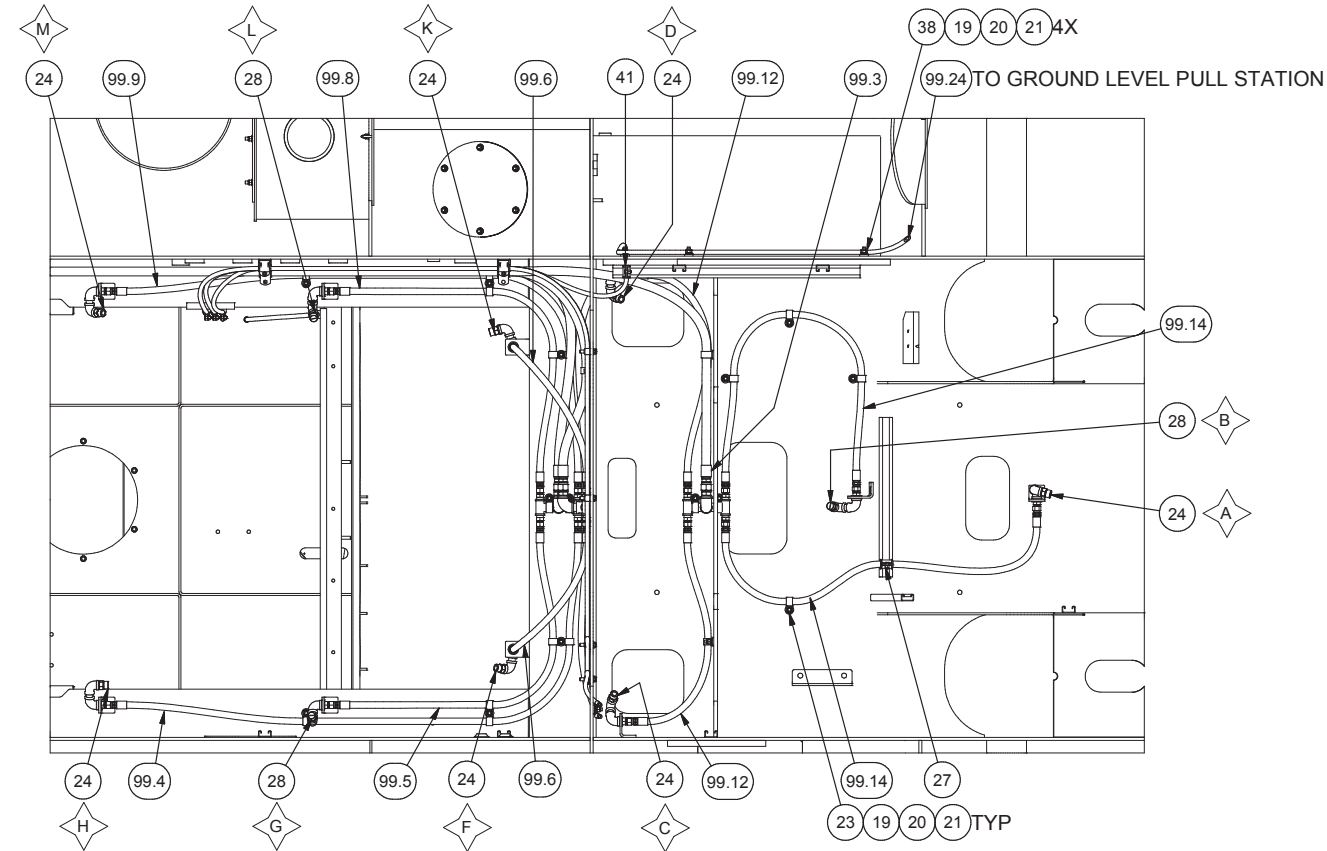
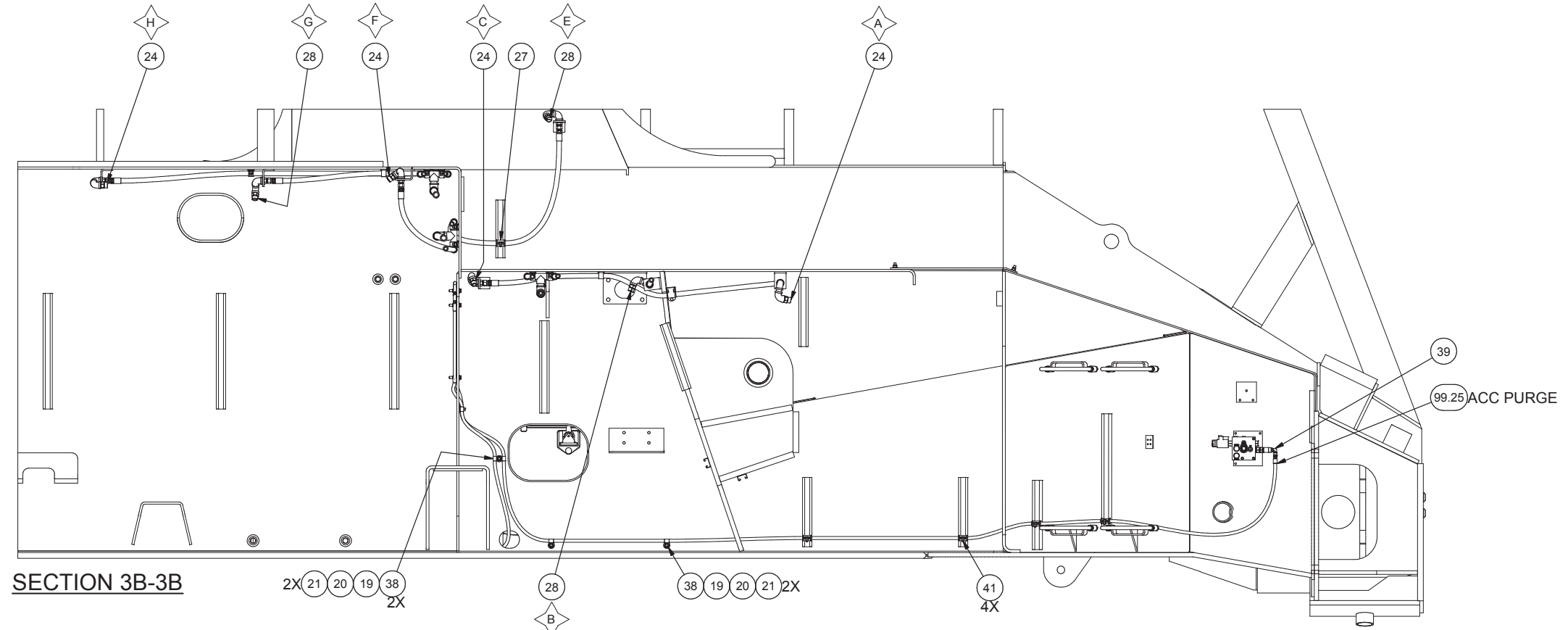
NOTES:

1. ITEMS 47, 48, 49, 50 ARE NOT SHOWN. ITEM 50 COMES WITH NOZZLE KIT. ITEM 47 IS TO BE USED WHEN PASSING HOSE THROUGH OR AROUND ANY SHARP EDGES OF A DECK OR BULKHEAD. THE USE OF ITEM 48 IS TO BE USED ON ALL THREADED PIPE CONNECTIONS. DO NOT ALLOW TAPE INSIDE OF CONNECTION. THE USE OF LIQUID SEALANTS IS NOT APPROVED BY ANSUL. ITEM 49 IS TO BE USED AS REQUIRED TO ENSURE A TIGHT CONNECTION WHEN ATTACHING FITTINGS TO NOZZLE BRACKET.
2. ANSUL RECOMMENDS THE FOLLOWING MINIMUM BEND RADII FOR PARKER 26 SERIES HOSES. #4 --- 4.00 IN, #8---7.00 IN, #12---9.50 IN.

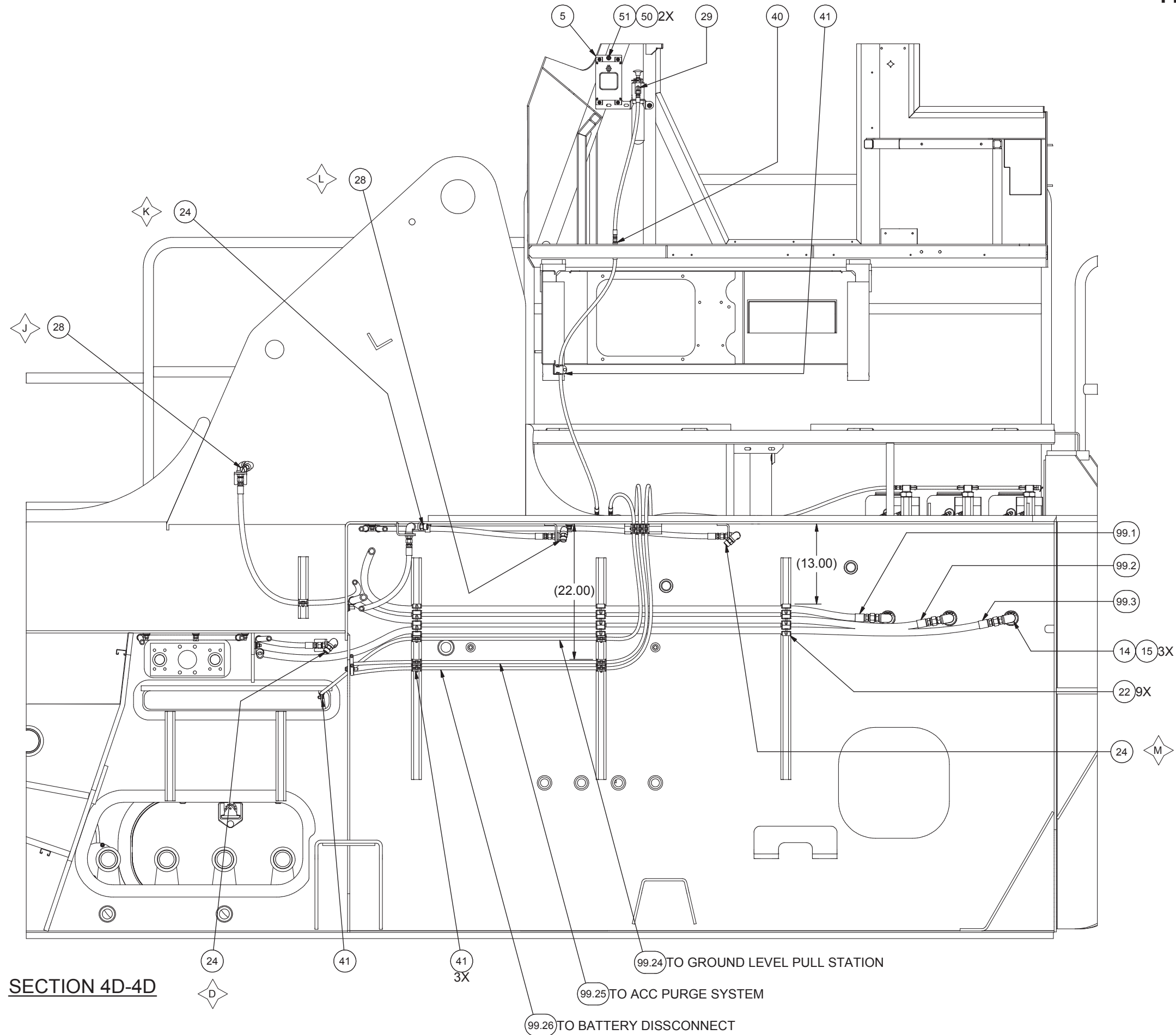




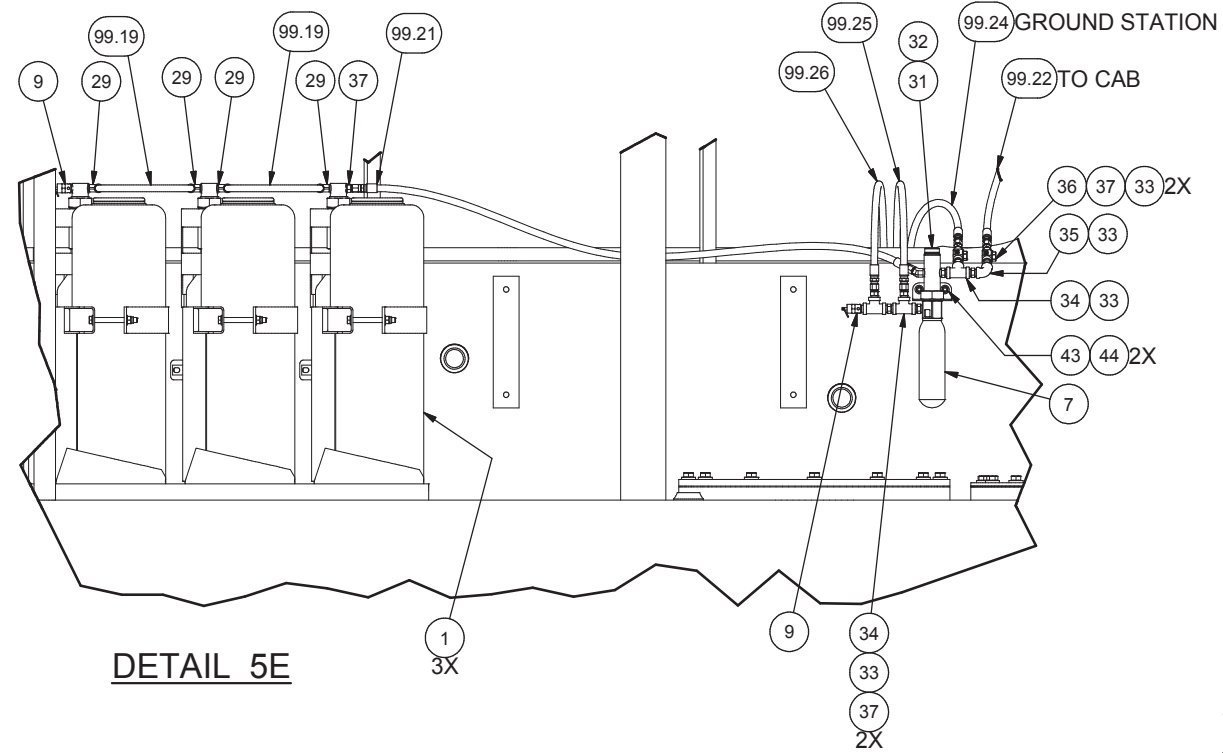
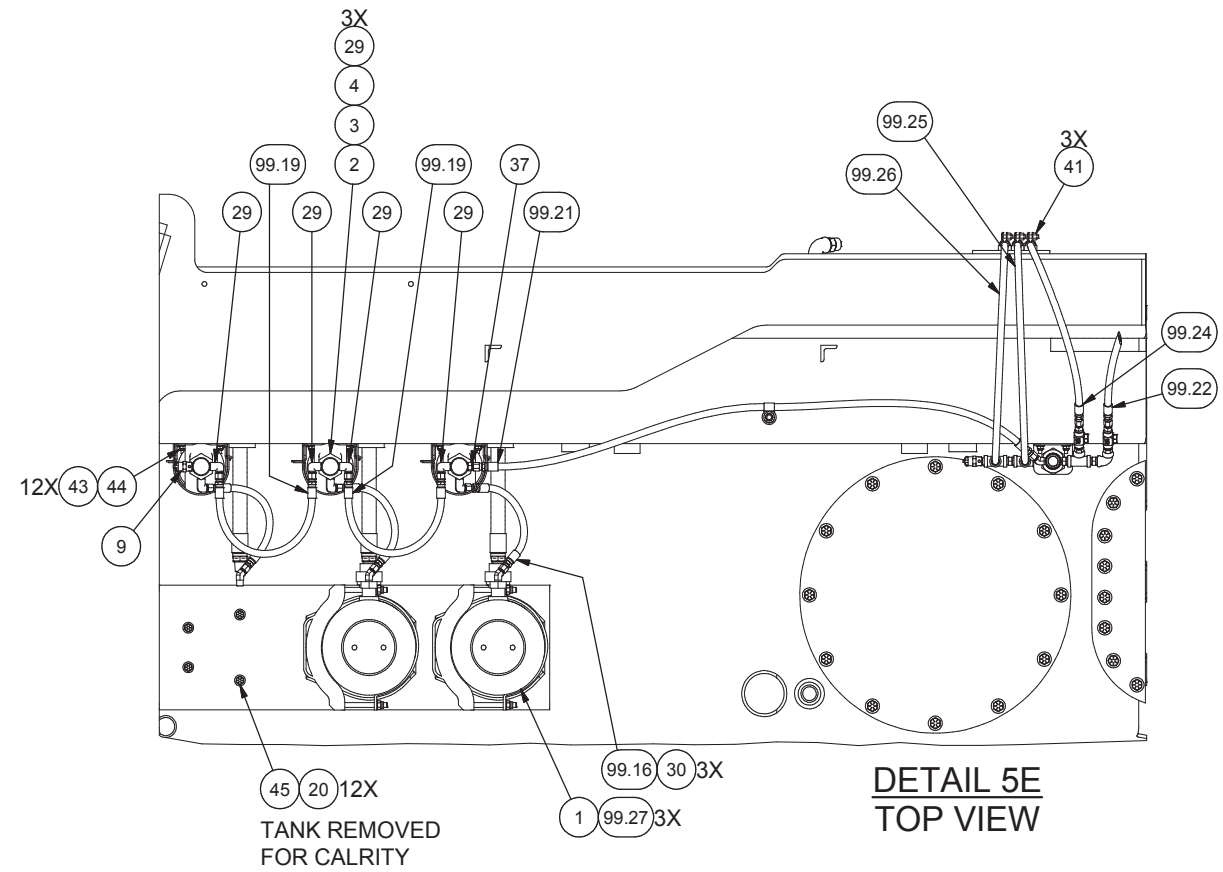
NOZZLE	TYPE	TARGET ZONE
A	CONE	TRANSMISSION
B	FAN	CONVERTER / PUMPS
C	CONE	LH CONVERTER
D	CONE	RH CONVERTER
E	FAN	LH VALVE PLATE
F	CONE	ENGINE OIL FILTER
G	FAN	EXHAUST MANIFOLD & TURBO
H	CONE	ENGINE OIL FILTER GROUP
J	FAN	RH VALVE PLATE
K	CONE	ENGINE ECM
L	FAN	FUEL RAIL
M	CONE	TOP OF ENGINE VALVE COVER



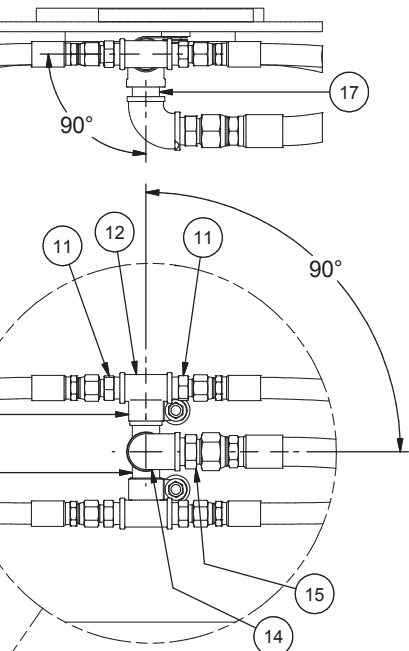
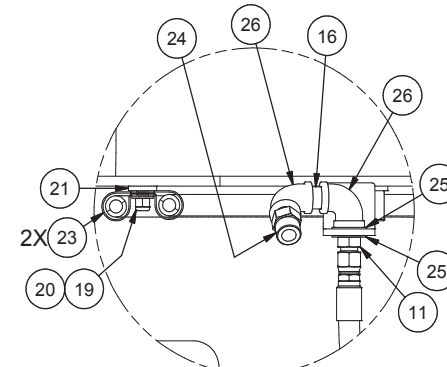
SECTION 3C-3C
BOTTOM LOOKING UP
PARTS REMOVED FOR CLARITY



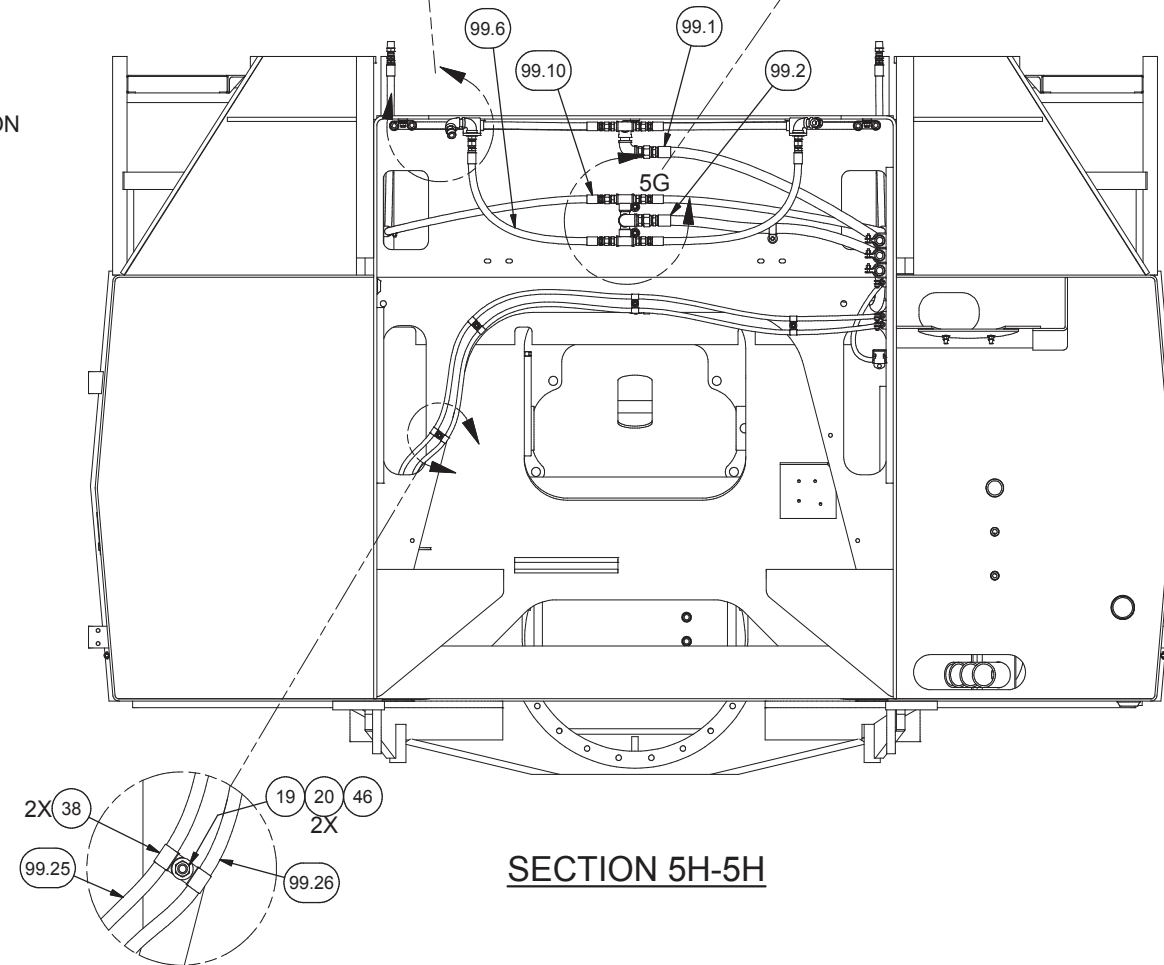
SECTION 4D-4D



DETAIL 5F
TYP DOUBLE ELBOW
AIM SYSTEM &
TYP DISTRIBUTION
CLAMPING



DETAIL 5G
TYP TRIPPLE TEE
DISTRIBUTION
MANIFOLD



DETAIL 5J
4 PLACES